

MAXITROL

Top Casting 3-Way Control Head Kit: KMR212D2, E2, & G2 - Field Installation Instructions

Used on MR212D, E, & G.



INSTRUCTIONS FOR AUTHORIZED INSTALLERS ONLY.

No untrained person should attempt to install, maintain, or service a gas modulating regulator.

WARNING

No untrained person should attempt to install, maintain, or service a gas modulating regulator.

All products, including gas modulating regulators, used with combustible gas MUST be installed and used strictly in accordance with instructions of the manufacturer, with government codes and regulations, and plumbing codes and practices. Maxitrol gas modulating regulators should be installed and operated in accordance with our "Safety Warning Bulletin".

Inappropriate and/or improper installation, adjustment, alteration, service or maintenance can cause property damage, injury or death.

Installation shall conform with local codes, or in the absence of local codes, in accordance with the National Fuel Gas Code ANSI Z223.1/NFPA54 or CSA B149.1 as is applicable, and operated in accordance with the manufacturer's instructions. These instructions do not supersede OEM's installation or operating instructions. Installation, inspection, and replacement must be performed by a qualified installer or gas supplier.

Shut off manual gas valve upstream before servicing. Disconnect electric power to appliance.

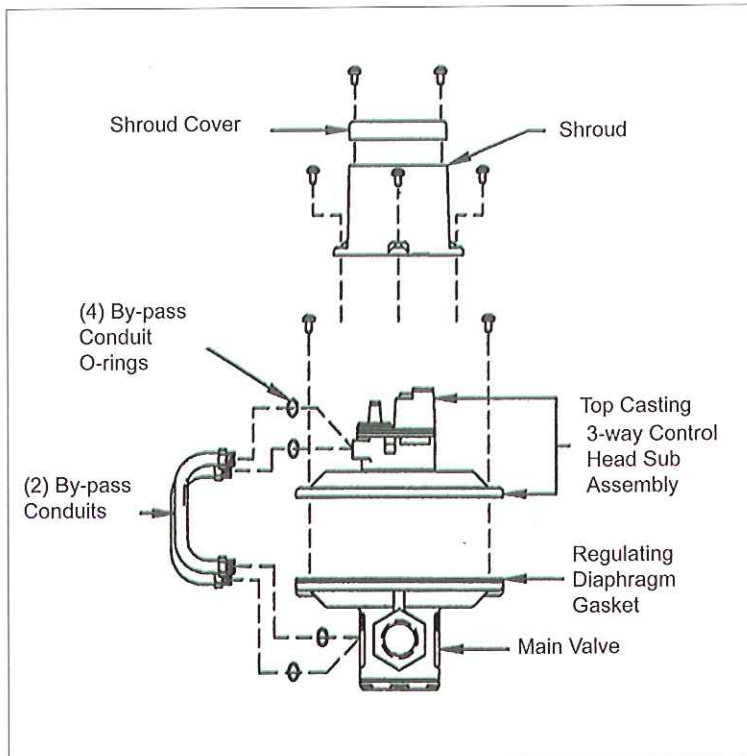


Figure 1: KMR212D2, E2, & G2

KIT KMR212D2, E2, G2 PARTS:

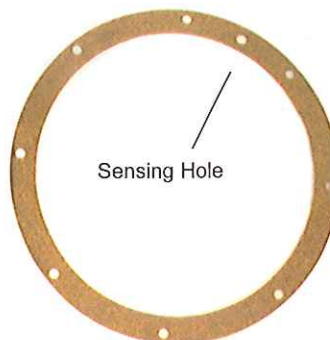
- A. Top Casting 3-Way Control Head Kit (1)
- B. O-Rings (KMR212D2 & KMR212E2) (4)
- C. Regulating Diaphragm Gasket (1)
- D. High-Fire Regulating Springs (one loose and one installed) (2)



A.



B.



C.



D.

INSTALLATION INSTRUCTIONS

1. Make sure gas is shut off upstream of valve.
2. Remove shroud cover, disconnect wires to modulator head.



Figure 2: Step 2

3. Remove shroud, both by-pass conduits and by-pass conduit o-rings (D & E Models only)*.

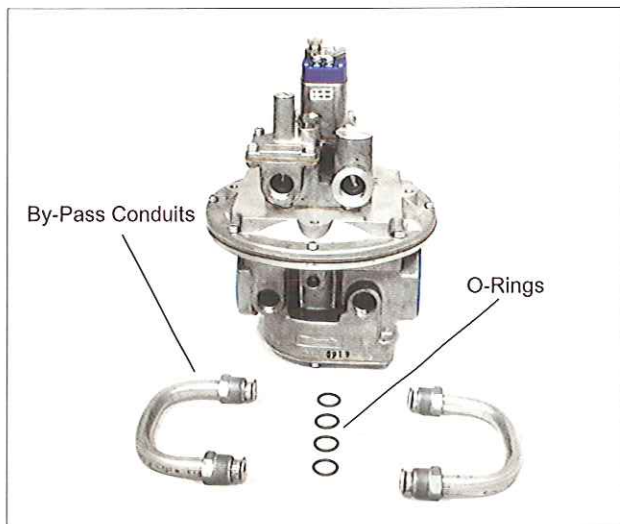


Figure 3: Step 3

4. Remove top casting control assembly from main valve. Examine main diaphragm gasket. A new gasket has been provided in the kit in the event of damage to the original gasket.

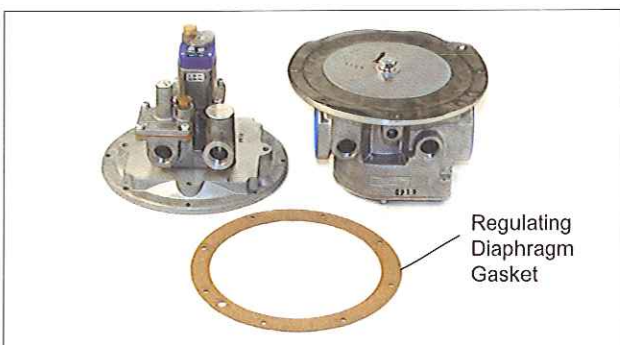


Figure 4: Step 4

5. Be careful not to lose high fire spring, you may need to reuse it.
6. Replace with new top casting 3-way control head assembly.
7. Reassemble in reverse order of removal. Be sure to line up sensing holes located in gasket, top and bottom flange (see Figure 5). Be careful not to over-tighten by-pass conduit nuts.

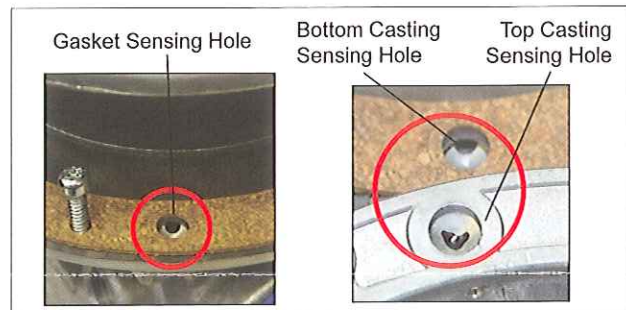


Figure 5: Step 7

8. Close manual firing valve downstream from MR valve and open automatic valve(s). If no firing valve is present, bring heater to high fire setting.
9. Check reassembled connections for leaks using a noncorrosive leak detection fluid or other approved leak detection method. Absolutely no leakage should occur. If leakage is detected discontinue operation and immediately shut off gas upstream of valve. Repair leaks and retest.
10. Outlet pressure to be verified and set per instructions supplied by equipment manufacturer.**

⚠ WARNING

Follow instructions supplied by equipment manufacturer for any operational adjustments.

* **NOTE:** The model under repair may not have originally been supplied with by-pass conduit o-rings. It is recommended to use (4) supplied o-rings when reassembling unit.

** **NOTE:** Kit is supplied with a regulator spring (pink) capable of setting a 2-5" w.c. outlet pressure range. If the equipment's specified maximum operating pressure is outside this range, discard the supplied pink regulator spring and reuse the regulator spring from the removed 3-way control head.

MAXITROL