



www.Source1Parts.com

DAUQ SERIES - 14 SEER SINGLE PACKAGED DUAL FUEL HEAT PUMPS (R-410A, STYLE A)

HVAC SERVICE PARTS

Supersedes: Nothing

035-23919-001 Rev. A (0312)

1 of 10

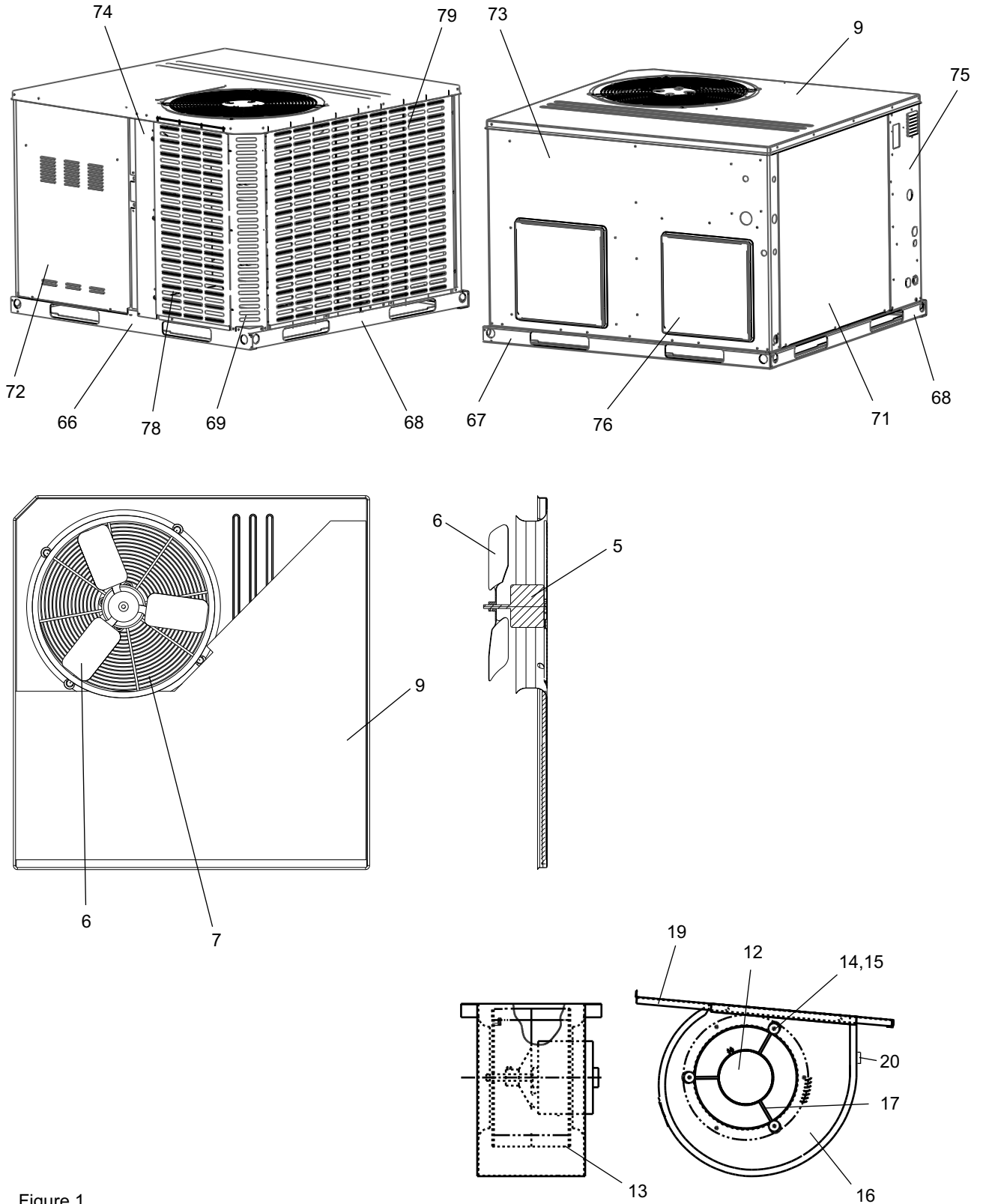


Figure 1

| ITEM | FIG | DESCRIPTION | DAUQ-F048D135X | DAUQ-F060D110X | DAUQ-F060D135X |
|--|-----|-------------------------------|-----------------------|-----------------------|-----------------------|
| Heating Section, Vent, Blower, and Gas Control Components | | | | | |
| 48 | 2 | Heat Exchanger Assy | S1-37316471705 | S1-37316471704 | S1-37316471705 |
| 49 | 2 | Plate, Restrictor | S1-07319348005 | S1-07319348004 | S1-07319348005 |
| 50 | 2 | Baffle, Restrictor | --- | S1-07314993002 | --- |
| 51 | 2 | Flue, Exhaust | S1-07319344000 | S1-07319344000 | S1-07319344000 |
| 52 | 2 | Blower, Vent | S1-02646427000 | S1-02646427000 | S1-02646427000 |
| 53 | 2 | Gasket, Vent Blower | S1-02812467000 | S1-02812467000 | S1-02812467000 |
| 54 | 2 | Valve, Gas | S1-02541218000 | S1-02541218000 | S1-02541218000 |
| 55 | 2 | Manifold, Gas | S1-02921179000 | S1-02921179000 | S1-02921179000 |
| 56 | 2 | Orifice, Gas (#43) | S1-02920423043 | S1-02920423043 | S1-02920423043 |
| 57 | 2 | Ignitor, Spark, Pilot | S1-02541219000 | S1-02541219000 | S1-02541219000 |
| 58 | 2 | Switch, Control Rollout | S1-02531812000 | S1-02531812000 | S1-02531812000 |
| 59 | * | Switch, Limit, Auto Reset | S1-02531813000 | S1-02530861000 | S1-02531813000 |
| 60 | 2 | Burner, Gas | S1-02921180000 | S1-02921180000 | S1-02921180000 |
| 61 | 2 | Switch, Air Pressure | S1-02435707000 | S1-02435707000 | S1-02435707000 |
| 62 | * | Screen, Lo-Nox (1 per Burner) | S1-02635452000 | S1-02635452000 | S1-02635452000 |
| 63 | * | Gasket, High Temp | S1-02811648000 | S1-02811648000 | S1-02811648000 |
| Sheet Metal Components | | | | | |
| 66 | 1 | Base Rail, Front | S1-07319413000 | S1-07319413000 | S1-07319413000 |
| 67 | 1 | Base Rail, Back | S1-07319414000 | S1-07319414000 | S1-07319414000 |
| 68 | 1 | Base Rail, Side (2 Req'd) | S1-07319415000 | S1-07319415000 | S1-07319415000 |
| 69 | 1 | Post, Corner | S1-07328013002 | S1-07328013002 | S1-07328013002 |
| 70 | 1 | Panel, Access, Blower | S1-37314979002 | S1-37314979002 | S1-37314979002 |
| 71 | 1 | Panel, Access, Heater | S1-07314981002 | S1-07314981002 | S1-07314981002 |
| 72 | 1 | Panel, Duct | S1-37319412007 | S1-37319412007 | S1-37319412007 |
| 73 | 1 | Post, Front, Coil | S1-07314976002 | S1-07314976002 | S1-07314976002 |
| 74 | 1 | Post, Corner, Left Front | S1-07320121000 | S1-07320121000 | S1-07320121000 |
| 75 | 1 | Duct Cover (2 Req'd) | S1-37314853000 | S1-37314853000 | S1-37314853000 |
| 76 | * | Screen, Flue | S1-02634000000 | S1-02634000000 | S1-02634000000 |
| 77 | * | Hood, Flue, Exhaust Outlet | S1-07314988000 | S1-07314988000 | S1-07314988000 |
| 78 | 1 | Coil Guard, (Front) | S1-07327318000 | S1-07327318000 | S1-07327318000 |
| 79 | 1 | Coil Guard, (Side) | S1-07327320000 | S1-07327320000 | S1-07327320000 |
| 80 | * | Deflector, Air, Front | --- | --- | --- |
| 81 | * | Deflector, Air, Side | S1-07315114000 | S1-07315114000 | S1-07315114000 |
| Drain Pan & Accessories | | | | | |
| 87 | * | Pan Assy, Drain | S1-37328303000 | S1-37328303000 | S1-37328303000 |
| 88 | * | Plug, Drain Pan | S1-02812480000 | S1-02812480000 | S1-02812480000 |
| 89 | * | Drain Fitting | S1-7430-3011 | S1-7430-3011 | S1-7430-3011 |
| 90 | * | Tubing, Drain | S1-02815480000 | S1-02815480000 | S1-02815480000 |
| Misc. | | | | | |
| 94 | * | Harness, Wiring, 6 pin | S1-02544159000 | S1-02544159000 | S1-02544159000 |
| 95 | * | Harness, Wiring, 16 pin | S1-02544160000 | S1-02544160000 | S1-02544160000 |
| 96 | 8 | Coil, Solenoid, Rev. Valve | S1-02530215002 | S1-02530215002 | S1-02530215002 |

NOTE: *Not ShownNew replacement parts shown in **bold** face type at the first printing of parts list dated 1/12.

Major components and suggested stocking items are shown with shaded item number.

"←" Across from row indicates a change in that row.

--- Not applicable to specified model.