

Series 909, LF909

Reduced Pressure Zone Assemblies

Sizes 2 1/2" – 10"

Relief Valve Kits

When ordering specify Ordering Code, Kit No., and Valve Size.

**M1 = Cast iron relief valve.

ORDERING CODE	KIT NO.	SIZE
Relief Valve Rubber Parts		
0794081	LFRK 909 RV	2 1/2" – 3"
0794083	LFRK 909 RV	8" – 10"
0794150	LFRK 909(M1)-RV	4"–6" 909, 8"–10" 909M1

Kit consists of: sleeve O-ring, piston O-ring, stem O-ring, RV disc assembly, diaphragm, piston seal, bottom plug O-ring, adapter O-ring and lubricant.

Relief Valve Total

0887237	RK 909 VT	8" – 10"
0887267	RK 909 VT	Bronze Body 4" – 6"
0794085	LFRK 909 VT	2 1/2" – 3"
0794151	LFRK 909(M1)-VT	4"–6" 909, 8"–10" 909M1

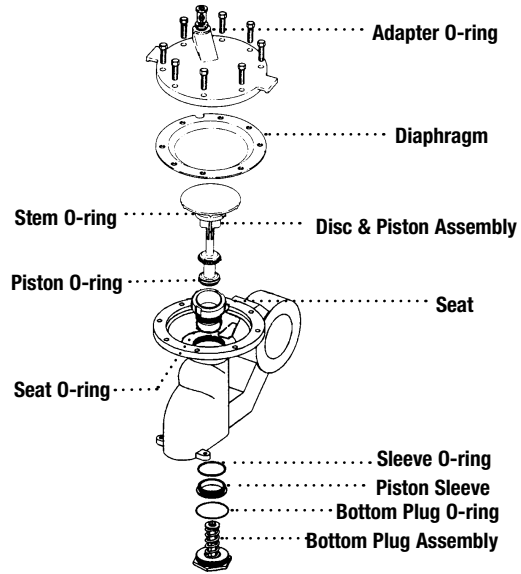
Kit consists of: diaphragm, disc & piston assembly, seat, seat O-ring, adapter O-ring and lubricant. (Sizes 4"–10"M1 includes bottom plug & spring assembly).

Total Rubber Parts Kits

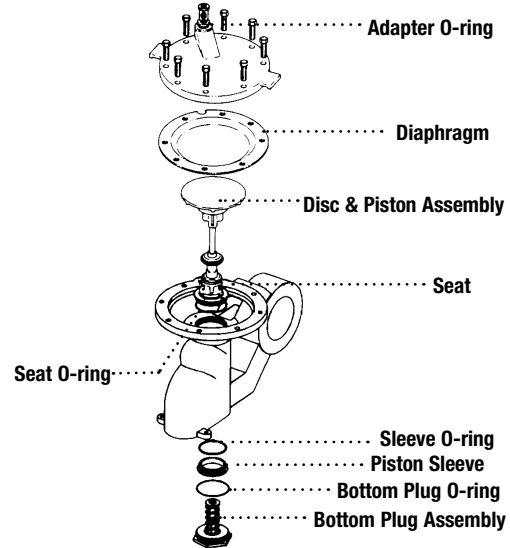
0794089	LFRK 909 RT	2 1/2" – 3"
0794090	LFRK 909 RT	4"
0794091	LFRK 909 RT	6"
0794092	LFRK 909 RT	8"
0794093	LFRK 909M1 RT	8"
0794094	LFRK 909 RT	10"
0794095	LFRK 909M1 RT	10"

Kit consists of: upper and lower check stem O-ring (6" only), check disc, cover O-ring, sleeve O-ring, piston O-ring, RV disc assembly, diaphragm, piston seal and lubricant.

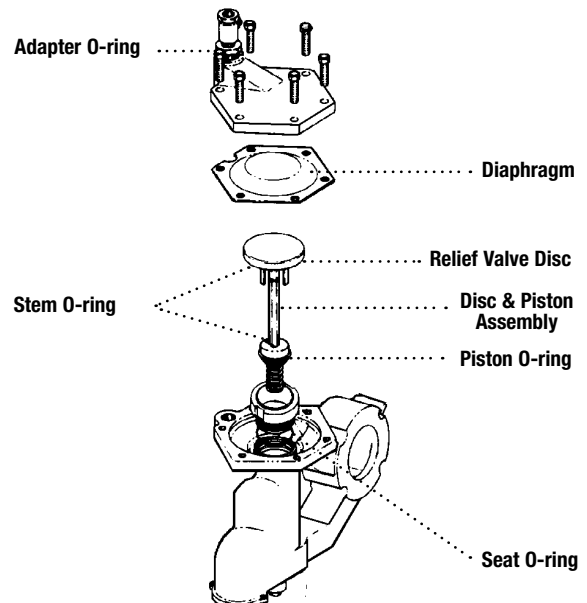
4" – 10"



8"M1, 10"M1



2 1/2", 3"



*The wetted surface of this product contacted by consumable water contains less than 0.25% of lead by weight.